

White-Rodgers

36C03, 36C03A, 36C03U & 36C10

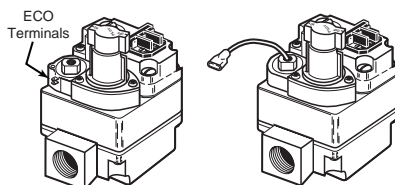
Standing/Continuous Pilot Combination Gas Valve

INSTALLATION INSTRUCTIONS

FAILURE TO READ AND FOLLOW ALL INSTRUCTIONS CAREFULLY BEFORE INSTALLING OR OPERATING THIS CONTROL COULD CAUSE PERSONAL INJURY AND/OR PROPERTY DAMAGE.

DESCRIPTION

The 36C03 and 36C10 series valves are designed to meet requirements for use on standing continuous pilot systems. 36C03 combination models include a pressure regulator, 100% shut-off automatic pilot, and main operator. 36C10 models do not have a pressure regulator.



36C Inst	Voltage	# of Stages	Open Characteristics	Standing Pilot	Intermittent Pilot Proven Pilot	HSI	DSI
36C03/36C10	24V	1	Fast	Yes	No	No	No
36C03U	750mV	1	Fast	Yes	No	No	No
36C03A	120V	1	Fast	Yes	No	No	No

SPECIFICATIONS

PIPE SIZES/CAPACITIES

Pipe Size (inches)	Capacity (BTU/hr) at 1" pressure drop across valve		Range of Regulation Excluding 36C10 Non-Regulated	
	Nat. Gas (1000 BTU/cu. ft., 64 Sp. Gr.)	LP Gas (2500 BTU/cu. ft., 1.53 Sp. Gr.)	AGA Std. Nat. Gas 0.64 Sp. Gr. (1,000 BTU/cu. ft.)	LP Gas 1.53 Sp. Gr. (2,500 BTU/cu. ft.)
1/2" x 3/8"	100,000	162,000	15,000 - 100,000	15,000 - 162,000
1/2" x 1/2"	230,000	372,600	30,000 - 290,000	30,000 - 469,000
1/2" x 3/4"	230,000	372,600	30,000 - 290,000	30,000 - 469,000
3/4" x 3/4"	280,000	453,600	50,000 - 400,000	50,000 - 648,000

PRESSURE REGULATOR ADJUSTMENT RANGE EXCLUDING 36C10 NON-REGULATED

Gas Type	Single Stage
Natural Gas	2.5–5.0
LP Gas	7.5–12.0

Pilot Gas Outlet:

Located at outlet end of the valve

Type of Gas: Suitable for all domestic heating gases

Ambient Temperature: -40° to 175°F

Pressure Rating: 14" W.C. (1/2 PSI) Max

Voltage/Current: 36C03U – 750mV
36C03/36C10 – 24V/0.23A
36C03A – 120V/0.035A

Parts and Accessories:

Conversion Kit

- F92-0659 Nat. to LP Gas (7.5" to 12.0" W.C.)
- F92-0737 Nat. to LP Gas (Non-regulated)
- F69-0727 1/4" brass compression fitting for pilot line connection

Thermocouple (24V & 120V types):

Use W-R Type H06

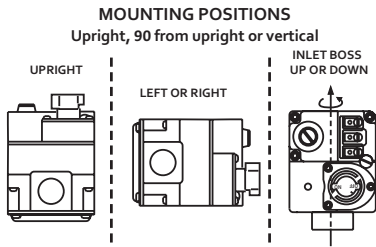
Pilot Generator (.750 volt types):

Use W-R Type G01A-32

CONTENTS

Description	1
Specifications	1
Precautions	2
Installation	3
System Wiring	
Adjustment	5
Pressure Regulator Adjustment	
Lighting Instructions	6
Contents French	9
Contents Spanish	17

SPECIFICATIONS



NOTE: Control shown may not be identical to replacement control

Figure 1. Gas Valve Mounting Positions

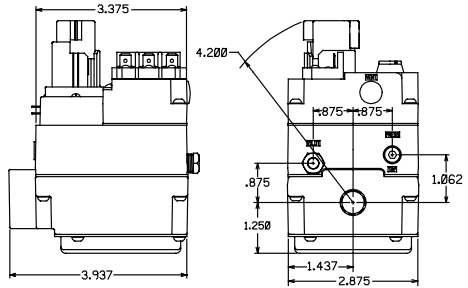


Figure 2. Valve Dimensions

PRECAUTIONS

DO NOT BEGIN INSTALLATION UNTIL YOU READ THE FOLLOWING PRECAUTIONS.

⚠ WARNING If you do not follow these instructions exactly, a fire or explosion may result, causing property damage, personal injury or loss of life.

1. Failure to turn off electric or main gas supply to heating system could cause personal injury and/or property damage by shock, gas suffocation, fire, and/or explosion.
2. Do not use this control on circuits exceeding specified voltage. Higher voltage will damage the control and may cause shock or fire hazard.
3. NEVER USE FLAME OR ANY KIND OF SPARK TO CHECK FOR GAS LEAKS—COULD CAUSE FIRE AND/OR EXPLOSION.
4. DO NOT USE WIRE JUMPER on pilot systems, such as standing pilot, proven pilot, or spark-to-pilot ignition—a fire and/or explosion may result.
5. Do not use a control set for natural gas with LP gas, or a control set for LP gas with natural gas. Personal injury and/or property damage, gas suffocation, fire, and/or explosion may result.
6. Do not use a gas valve which appears to be damaged. A damaged valve may cause personal injury and/or property damage due to shock, gas suffocation, fire and/or explosion. Contact supplier to replace any valve that appears to have been damaged.
7. Do not use a gas valve that has been in direct contact with water. Water entering gas valve may result in concealed internal damage to gas valve. Personal injury and/or property damage, gas suffocation, fire and/or explosion may result.

⚠ WARNING

Properly install gas piping to control.

- Do not remove protective inlet or outlet caps until ready to connect supply pipe to gas valve.
- Use new supply pipe, properly threaded, reamed, de-burred, and cleaned.
- Use backup wrench, applied only to provided wrench flats on inlet boss, when tightening the supply pipe. Do not grip bracket, solenoid or any other part of control.
- Do not over-tighten pipe to control (50 ft-lbs max.)
- Always install sediment trap in the gas supply line to prevent contamination of gas valve. Failure to install properly can cause gas leakage resulting in injury due to fire or explosion.

⚠ CAUTION

1. Do not short out terminals on gas valve or primary control to test. Short or incorrect wiring can cause equipment damage, property damage, and/or personal injury.
2. This control is not intended for use in locations where it may come in direct contact with water. Suitable protection must be provided to shield the control from exposure to water (dripping, spraying, rain, etc.).
3. Clean gas piping of contaminants, cutting fluid, or other chemicals which might react harmfully with the gas valve components before install.

MAIN PIPING CONNECTIONS

NOTE

All piping must comply with local codes, ordinances, and/or national fuel gas codes.

1. Turn off electrical power to the system at the fuse box or circuit breaker. Also turn off the main gas supply.
2. If replacing an existing valve, disconnect all plumbing and electrical connections from the old control.
3. The control may be installed in any orientation **except upside down** (see fig. 1). The arrow on the valve indicates the direction of gas flow through the control.
4. You should use new pipe that is properly chamfered, reamed, and free of burrs and chips. If you are using old pipe, be sure it is clean and free of rust, scale, burrs, chips, and old pipe joint compound.

5. Apply pipe joint compound (pipe dope) or teflon tape **that is approved for all gases, only to the male threads of the pipe joints. DO NOT** apply compound or teflon tape to the first two threads (see fig. 3 for typical piping connections).
6. If you are using a vise or open-end wrench to hold the valve while installing piping, do not tighten excessively, as this may damage the valve.
7. If additional clearance for the gas cock knob is required when installing the new valve in an existing system, rotate the knob to the position between ON and OFF. Depress the knob while turning the valve. The knob will depress only while in this position.
8. See **SYSTEM WIRING** when making electrical connections. After all gas and electrical connections are completed, turn gas on and check for gas leaks with leak detection solution or soap suds. Bubbles forming indicate a leak. **SHUT OFF GAS AND FIX ALL LEAKS IMMEDIATELY.**

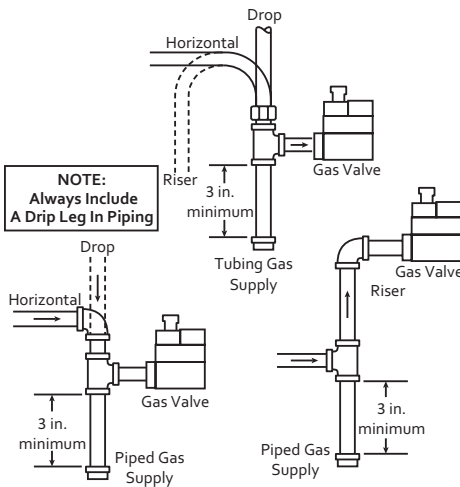


Figure 3. Typical gas valve piping

PILOT GAS CONNECTION

Install the fitting into the pilot gas outlet (see fig. 4), turning until finger-tight. Insert clean, deburred tubing all the way through the fitting. While holding the tubing securely, slowly tighten fitting until you feel a slight "give". Tighten the fitting an additional 1-1/2 turns. Refer to page 5 for pilot gas adjustment information.

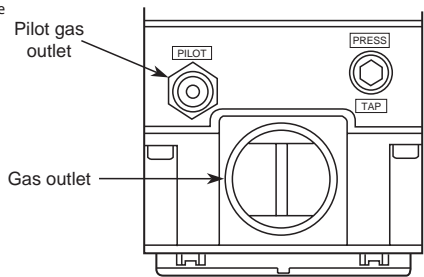


Figure 4. Gas valve side view

CAUTION

To prevent electrical shock and/or equipment damage, disconnect electrical power to system at main fuse or circuit breaker box until installation is complete.

SYSTEM WIRING

NOTE

All wiring should be installed in accordance with local and national electrical codes and ordinances. Always check that the electrical power supply used agrees with the voltage and frequency shown on the gas control.

The typical wiring diagram shows only the terminal identification and wiring hook up. Always refer to wiring instructions provided by Equipment Manufacturer for system hookup operation.

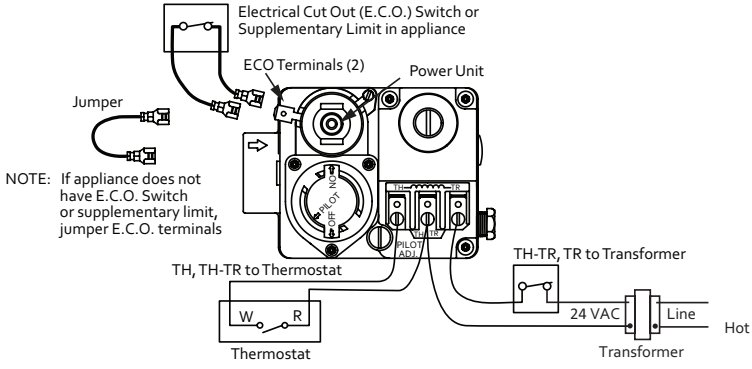


Figure 5. Wiring for 36C03 (24 VAC)

For appliances with an Electrical Cut Out (E.C.O.) device or supplementary high limit switch, connect black wire from power unit to one side of the switch. Attach the other side of the switch to TH-PG.

For appliances without an Electrical Cut Out (E.C.O.) device or supplementary high limit switch, connect black wire from power unit to TH-PG.

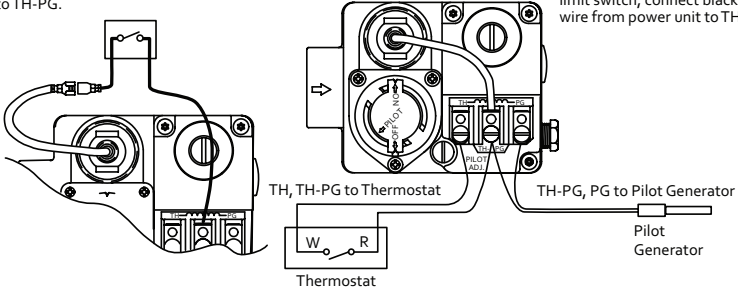


Figure 6. Wiring for 36C03U (750 millivolt Pilot Generator)

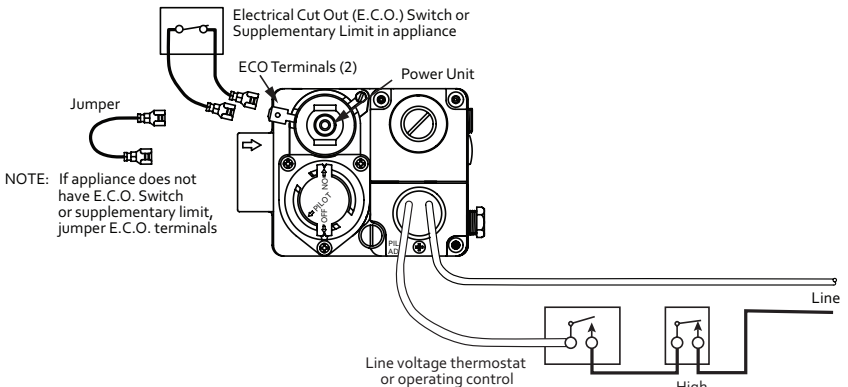


Figure 7. Wiring for 36C03A (120 Volt)

**ENERGY CUT OFF (E.C.O.)
CONNECTION**

A five-function valve uses the two E.C.O. terminals that are connected to the magnetic assembly where the thermocouple connects to the 36C valve line interrupter.

Connect the leads from the E.C.O. terminals to the E.C.O. device on the furnace. Test the E.C.O. device for continuity. If there is no continuity, the power unit will not hold in. See figure 5.

If the furnace does not have an E.C.O. device, jumper the E.C.O. terminals on the valve with the jumper lead provided.

**THERMOCOUPLE CONNECTION
(24 VAC AND 120 VAC MODELS)**

The thermocouple connection should be clean to ensure good electrical contact.

Run the thermocouple nut into the power unit tapping as far as possible by hand. Then use a small wrench to set the nut with a 1/4 to 1/2 additional turn. Do not overtighten.

**PILOT GENERATOR CONNECTION
(FOR .750 VAC MODELS)**

Be sure the pilot generator is completely engaged into the pilot burner.

Be sure that the two terminals from the pilot generator are securely tightened beneath the proper screws on the valve.

Connect the power unit lead to the high limit and the high limit to the TH-PG terminal.

ADJUSTMENT**PILOT GAS ADJUSTMENT**

If the pilot flame is low and does not engulf the bulb of the mercury flame sensor, the system will not energize the main valve. If pilot gas pressure is too high, gas will sputter past the ignition electrode, and may not ignite. High pilot gas pressure may also cause the flame to lift off the burner, causing the flame sensor bulb to sense "low" heat.

To adjust the pilot gas pressure, remove the cover screw (see fig. 8). To **REDUCE** pilot pressure, turn the pilot adjust screw (beneath the cover screw) clockwise. To **INCREASE** pilot pressure, turn the pilot adjust screw counterclockwise. Replace and tighten cover screw.

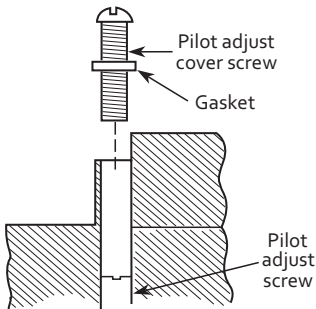


Figure 8. Pilot Gas Adjustment

**PRESSURE REGULATOR
ADJUSTMENT**

The pressure regulator has been factory adjusted (see control label for specific setting). Although additional adjustments will not normally be necessary, you may adjust the regulator. Do not force the adjusting screw beyond the limits that it can easily be adjusted.

1. Energize valve to ignite main burner.
2. Remove "Reg. Adj." cover screw (see fig. 9).
3. To **DECREASE** outlet pressure, turn the adjusting screw (beneath the cover screw) counterclockwise. To **INCREASE** outlet pressure, turn the adjusting screw clockwise.
4. Replace the cover screw. Cycle the valve two or three times to verify regulator setting.

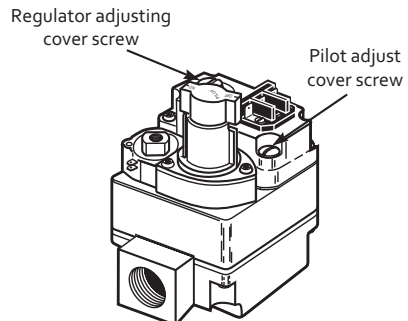


Figure 9. Pressure Regulator Adjustment

LIGHTING INSTRUCTIONS

FOR YOUR SAFETY READ BEFORE OPERATING



WARNING

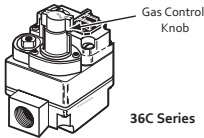


If you do not follow these instructions exactly, a fire or explosion may result, causing property damage, personal injury or loss of life.

- A. This appliance has a pilot that must be lighted by hand. When lighting the pilot, follow these instructions exactly.
- B. **BEFORE OPERATING** smell all around the appliance area for gas. Be sure to smell next to the floor because some gas is heavier than air and will settle on the floor.
 - **FOR YOUR SAFETY**
"WHAT TO DO IF YOU SMELL GAS"
 - Do not try to light any appliance.
 - Do not touch any electrical switch; do not use any phone in your building.
 - Immediately call your gas supplier from a neighbor's phone. Follow the gas supplier's instructions.
 - If you cannot reach your gas supplier, call the fire department.
- C. Use only your hand to push in or turn the gas control knob. **Never use tools.** If the knob will not push in or turn by hand, don't try to repair it; call a qualified service technician. Force or attempted repair may result in a fire or explosion.
- D. Do not use this appliance if any part has been under water. Immediately call a qualified service technician to inspect the appliance and to replace any part of the control system and any gas control which has been under water.

LIGHTING INSTRUCTIONS

1. **STOP!** Read the precautionary information above.
2. Set the thermostat to lowest setting.
3. Turn off all electric power to the appliance.
4. Depress gas control knob slightly and turn clockwise to **OFF** (see fig. 10). If knob is in **ON**, turn clockwise to **PILOT**, then depress knob slightly and turn clockwise to **OFF**.
5. Wait fifteen (15) minutes to clear out any gas. If you then smell gas, **STOP!** Follow **B** in the precautionary information above. If you don't smell gas, go to next step.
6. Remove the pilot access panel(s) located under the gas control unit.
7. Find pilot - follow small metal tubes from gas control.
8. Turn knob on gas control counterclockwise to **PILOT**.
9. Depress control knob all the way and hold in. Immediately light the pilot with a match. Continue to hold the control knob down for about one (1) minute after the pilot is lit. Release knob and it will pop back up. Pilot should remain lit. If it goes out, repeat steps 4, 5, 8, and 9.
 - If knob does not pop up when released, turn clockwise to **OFF**, stop and immediately call your service technician or gas supplier.
 - If the pilot will not stay lit after several tries, turn the gas control knob to **OFF** and call your service technician or gas supplier.
10. Replace pilot access panel(s).
11. Turn gas control knob counterclockwise to **ON**.
12. Turn on all electrical power to the appliance.
13. Set thermostat to desired setting.



NOTE: Knob cannot be turned from **PILOT** to **OFF** unless knob is depressed slightly. Do not use tools or excessive force.



TO TURN OFF GAS TO APPLIANCE

1. Set the thermostat to lowest setting.
2. Turn off all electric power to the appliance if service is to be performed.
3. Turn gas control knob clockwise to **PILOT**.
4. Depress gas control knob slightly and turn clockwise to **OFF**. Do not use tools or excessive force.

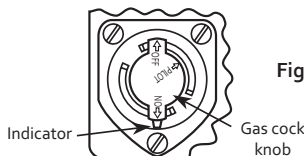


Figure 10. Gas Cock Knob

NOTES

White-Rodgers is a business
of Emerson Electric Co.

The Emerson logo is a
trademark and service mark
of Emerson Electric Co.

White-Rodgers

www.white-rodgers.com
www.emersonclimate.com



White-Rodgers

36C03, 36C03A, 36C03U et 36C10

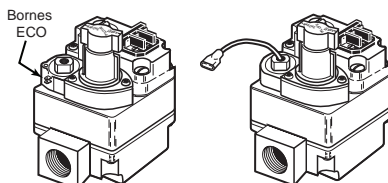
Robinet de gaz polyvalent à pilote permanent/continu

INSTRUCTIONS D'INSTALLATION

LIRE ET RESPECTER SOIGNEUSEMENT TOUTES LES INSTRUCTIONS AVANT L'INSTALLATION OU L'UTILISATION DE CET APPAREIL POUR PRÉVENIR LES BLESSURES ET LES DOMMAGES MATÉRIELS.

DESCRIPTION

Les robinets de la série 36C03 et 36C10 sont conçus pour respecter les normes d'utilisation applicables aux systèmes à pilote continu permanent. Les modèles polyvalents 36C03 comprennent un régulateur de pression, un pilote à arrêt entièrement automatique et un opérateur principal. Les modèles 36C10 n'ont pas de régulateur de pression.



Modèle 36C	Tension	Nbre d'étages	Caractéristiques ouvertes	Pilote permanent	Pilote intermittent Pilote contrôlé	HSI	DSI
36C03/36C10	24 V	1	Rapide	Oui	Non	Non	Non
36C03U	750 mV	1	Rapide	Oui	Non	Non	Non
36C03A	120 V	1	Rapide	Oui	Non	Non	Non

SPÉCIFICATIONS

TAILLES/CAPACITÉS DES TUYAUX

Taille du tuyau (pouces)	Capacité (BTU/h) à 1 po de chute de pression à travers le robinet		Plage de réglage excluant 36C10 non contrôlé	
	Gaz nat. (1000 BTU/pi ³ , densité 0,64)	GPL (2500 BTU/pi ³ , densité 1,53)	Gaz nat. AGA std, dens. 0,64 (1000 BTU/pi ³)	GPL densité 1,53 (2500 BTU/pi ³)
½ po x 3/8 po	100 000	162 000	15 000 – 100 000	15 000 – 162 000
½ po x 1/2 po	230 000	372 600	30 000 – 290 000	30 000 – 469 000
½ po x 3/4 po	230 000	372 600	30 000 – 290 000	30 000 – 469 000
¾ po x 3/8 po	280 000	453 600	50 000 – 400 000	50 000 – 648 000

PLAGE DE RÉGLAGE DU RÉGULATEUR DE PRESSION EXCLUANT 36C10 NON CONTRÔLÉ

Type de gaz	Mono-étage
Gaz naturel	2,5 – 5,0
Gaz de pétrole liquéfiés	7,5 – 12,0

Sortie de gaz du pilote :

Sur la sortie du robinet

Type de gaz : Convient à tous les types de chauffage domiciliaire

Température ambiante : de -40° à 175 °F

Pression nominale : 14 po W.C. (1/2 lb/po²) max.

Tension/courant :
 36C03U – 750 mV
 36C03/36C10 – 24 V/0,23 A
 36C03A – 120 V/0,035 A

Pièces et accessoires :

Trousse de conversion

- F92-0659 nat. à GPL (7,5 po à 12,0 po W.C.)
 - F92-0737 nat. à GPL (non réglé)
 - F69-0727 raccord de compression ¼ po en laiton pour branchement de la conduite du pilote
- Thermocouple (types 24 V et 120 V) :
Utiliser le type W-R H06
- Générateur de pilote (types 750 mV) :
Utiliser le type W-R G01A-32

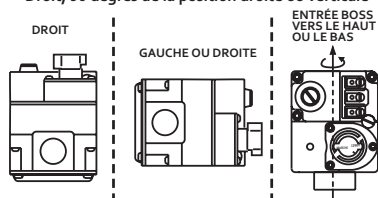
CONTENU

Contenu en anglais.....	1
Description	9
Spécifications	9
Précautions.....	10
Installation.....	11
Câblage du système	
Réglage	13
Ajustement du régulateur de pression	
Instructions d'allumage.....	14
Contenu en espagnol	17

SPÉCIFICATIONS

POSITIONS DE MONTAGE

Droit, 90 degrés de la position droite ou verticale



REMARQUE : Le robinet illustré peut différer du robinet de rechange

Figure 1. Positions de montage du robinet de gaz

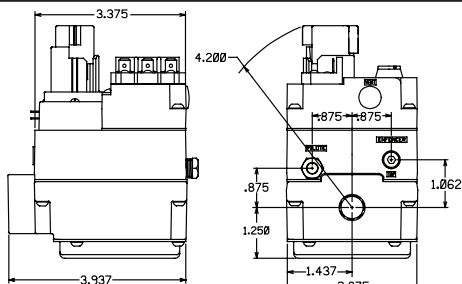


Figure 2. Dimensions du robinet

PRÉCAUTIONS

NE COMMENCEZ PAS L'INSTALLATION AVANT D'AVOIR LU LES PRÉCAUTIONS SUIVANTES.

⚠ AVERTISSEMENT



Si ces instructions n'étaient pas respectées à la lettre, un incendie ou une explosion pourrait survenir et causer des dommages matériels, des blessures ou des pertes de vie.

1. Le fait de ne pas couper l'alimentation électrique ou l'alimentation principale de gaz du système de chauffage pourrait entraîner des blessures ou des dommages matériels par choc électrique, suffocation au gaz, incendie ou explosion.
2. Ne pas utiliser cet appareil de contrôle sur les circuits qui excèdent la tension spécifiée. Une tension plus élevée pourrait endommager l'appareil et présenter un risque de choc électrique ou d'incendie.
3. **NE JAMAIS UTILISER DE FLAMME NI TOUTE AUTRE FORME D'ÉTINCELLE POUR DÉTECTER LES FUITES DE GAZ – CELA POURRAIT CAUSER UN INCENDIE OU UNE EXPLOSION.**
4. **NE PAS UTILISER DE CAVALIER ENTRE LES FILS de tous systèmes à pilote, comme un pilote permanent, un pilote contrôlé, ou une ignition étincelle-à-pilote—un incendie ou une explosion pourrait survenir.**
5. Ne pas utiliser une trousse de commande pour gaz naturel avec du gaz de pétrole liquéfié, ni une trousse de commande pour GPL avec du gaz naturel. Cela pourrait entraîner des risques de blessures ou de dommages matériels, de suffocation au gaz, d'incendie ou d'explosion.
6. Ne pas utiliser un robinet de gaz qui semble endommagé. Un robinet endommagé peut causer des blessures ou des dommages matériels par choc électrique, suffocation au gaz, incendie ou explosion. Contactez le fournisseur pour remplacer tout robinet qui semble avoir été endommagé.
7. Ne pas utiliser un robinet de gaz qui est entré en contact direct avec de l'eau. L'infiltration d'eau dans un robinet de gaz peut causer des dommages cachés à l'intérieur du robinet de gaz. Des blessures ou dommages matériels, une suffocation au gaz, un incendie ou une explosion pourraient survenir.

⚠ AVERTISSEMENT

Installez correctement les tuyaux de gaz du contrôleur.

- N'enlevez pas les capuchons protecteurs des orifices d'entrée et de sortie avant d'être prêt à brancher le tuyau d'alimentation sur le robinet de gaz.
- Utilisez un tuyau d'alimentation neuf, correctement fileté, alésé, ébarbé et nettoyé.
- Utilisez une clé de rechange appliquée uniquement sur le plan de manœuvre de la butée d'entrée au moment de serrer la tuyauterie d'alimentation. Ne saisissez pas la ferrure, le solénoïde ni toute autre pièce du contrôleur.
- Ne serrez pas excessivement le tuyau sur le contrôleur (50 pi-lb max.)
- Installez toujours un collecteur de sédiments dans la conduite d'alimentation de gaz pour prévenir la contamination du robinet de gaz.

Une installation incorrecte pourrait causer une fuite de gaz et entraîner un incendie ou une explosion causant des blessures.

⚠ MISE EN GARDE

1. Ne court-circuitiez pas les bornes sur le robinet de gaz ni sur le contrôleur principal au moment du test. Un court-circuit ou un branchement incorrect pourrait causer des dommages à l'équipement ou à la propriété, ou encore des blessures.
2. Ce contrôleur n'est pas conçu pour être utilisé dans des endroits où il pourrait entrer en contact direct avec de l'eau. Une protection adéquate doit être fournie pour protéger le contrôleur contre toute exposition à l'eau (égouttement, pulvérisation, pluie, etc.).
3. Avant l'installation, retirez de la tuyauterie de gaz tout contaminant, liquide de coupe ou autre produit chimique pouvant réagir dangereusement avec les composants du robinet de gaz.

PRINCIPAUX RACCORDS DE TUYAUX

REMARQUE

Toute la tuyauterie doit respecter les codes et ordonnances locaux et les codes nationaux des combustibles.

1. Coupez l'alimentation électrique du système à la boîte de fusibles ou au disjoncteur. Coupez également l'alimentation de gaz principale.
2. Si vous remplacez un robinet existant, débranchez tous les raccords de plomberie et les branchements électriques de l'ancien contrôleur.
3. Le contrôleur peut être installé dans toute orientation **sauf tête vers le bas** (voir fig. 1). La flèche qui figure sur le robinet indique la direction de circulation du gaz à travers le contrôleur.
4. Utilisez un tuyau neuf correctement chanfreiné, alésé et exempt de barbes et d'éclats. Si vous utilisez un tuyau usagé, assurez-vous qu'il est propre et exempt de rouille, d'écaillures, de barbes, d'éclats et de pâte à joint.
5. Appliquez de la pâte à joint (pâte lubrifiante) ou un ruban en téflon **approuvé pour tous les**

gaz seulement sur les filets mâles des joints de tuyaux. N'appliquez PAS de pâte ni de ruban en téflon sur les deux premiers filets (voir la fig. 3 pour les raccords typiques de tuyaux).

6. Si vous utilisez une pince étau ou une clé à fourche pour tenir le robinet pendant l'installation des tuyaux, ne serrez pas excessivement, car cela pourrait endommager le robinet.
7. Si un dégagement supplémentaire est requis pour le bouton du gaz pendant l'installation d'un robinet neuf sur un système existant, tournez le bouton entre les positions MARCHÉ et ARRÊT. Enfoncez le bouton tout en tournant le robinet. Le bouton s'enfonce uniquement lorsqu'il se trouve dans cette position.
8. Consultez la section **CÂBLAGE DU SYSTÈME** pour effectuer les branchements électriques. Une fois que tous les branchements de gaz et les branchements électriques ont été effectués, ouvrez le gaz et vérifiez s'il y a des fuites avec une solution de détection de fuites ou du savon. La formation de bulles indique une fuite. **COUPEZ LE GAZ ET RÉPAREZ IMMÉDIATEMENT TOUTES LES FUITES.**

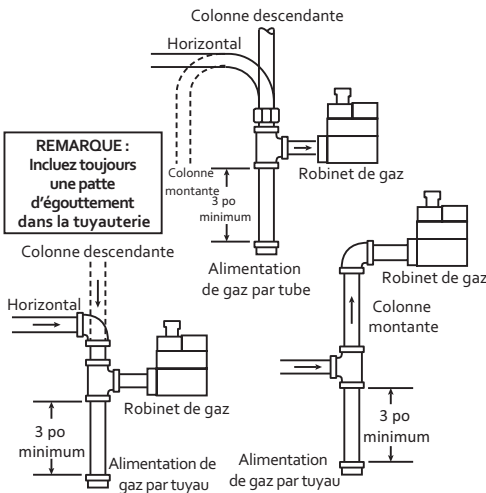


Figure 3. Tuyauterie typique de robinet de gaz

BRANCHEMENT DU GAZ POUR UN PILOTE

Installez le raccord dans la sortie de gaz pour pilote (voir fig. 4) et serrez légèrement à la main. Insérez un tuyau propre ébarbé jusqu'au fond du raccord. Tout en tenant solidement le tuyau, serrez lentement le raccord jusqu'à ce que vous sentiez un léger « mouvement ». Serrez le raccord 1 ½ tour de plus.

Consultez la page 5 pour les informations sur le réglage de la pression de gaz du pilote.

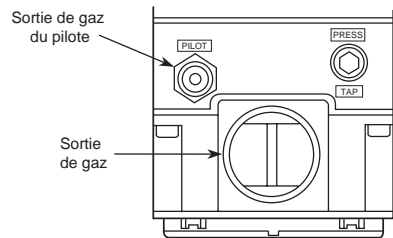


Figure 4. Vue latérale du robinet de gaz

⚠ MISE EN GARDE

Pour prévenir les chocs électriques et les dommages à l'équipement, débranchez l'alimentation électrique du système à la boîte de fusibles ou de disjoncteurs principale jusqu'à ce que l'installation soit terminée.

REMARQUE

Tout le câblage doit être installé conformément aux codes et ordonnances locaux et nationaux de l'électricité.

Assurez-vous toujours que l'alimentation électrique utilisée correspond à la tension et à la fréquence qui figurent sur le contrôleur de gaz.

Le schéma de câblage typique montre uniquement l'identification des bornes et les branchements. Consultez toujours les instructions de branchement fournies par le fabricant de l'équipement pour un branchement correct.

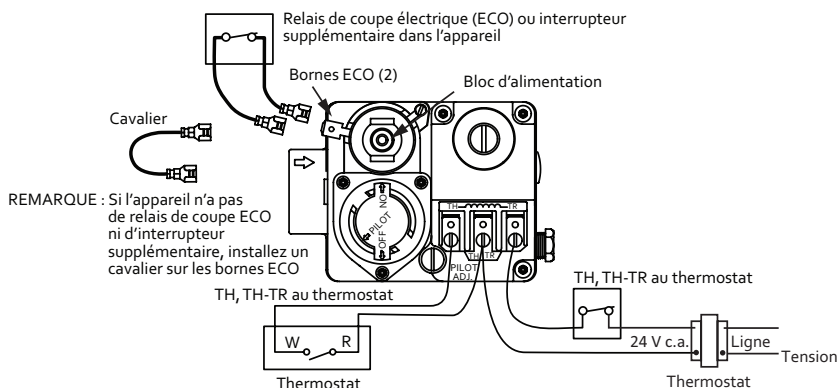


Figure 5. Câblage du 36C03 (24 V c.a.)

Pour les appareils pourvus d'un relais de coupe ECO ou d'un interrupteur supplémentaire à limite supérieure, branchez le fil noir du bloc d'alimentation sur un côté de l'interrupteur. Branchez l'autre côté de l'interrupteur à la borne TH-PG.

Pour les appareils sans relais de coupe ECO ou interrupteur supplémentaire à limite supérieure, branchez le fil noir du bloc d'alimentation à la borne TH-PG.

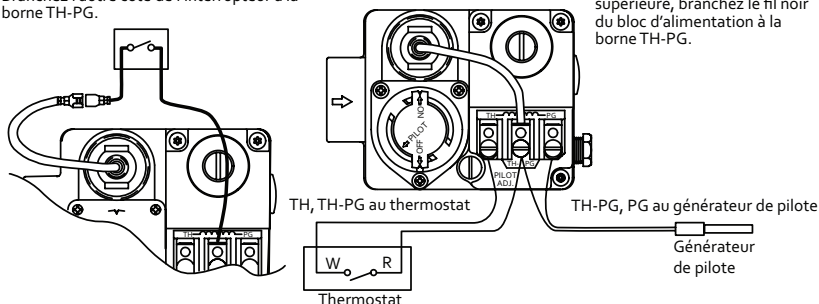


Figure 6. Câblage du 36C03U (générateur de pilote 750 millivolts)

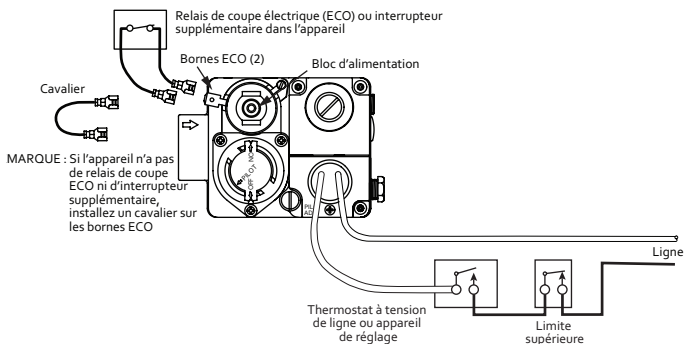


Figure 7 Câblage du 36C03A (120 volts)

BRANCHEMENT DU RELAIS DE COUPE ECO

Un robinet à cinq fonctions utilise deux bornes ECO reliées à l'ensemble magnétique au point de branchement entre le thermocouple et l'interrupteur de ligne de la soupape 36C.

Branchez les fils des bornes ECO au dispositif ECO sur la fournaise. Testez le dispositif ECO pour vérifier la continuité. S'il n'y a pas de continuité, le bloc d'alimentation ne se maintiendra pas. Voir la figure 5.

Si la fournaise n'est pas pourvue d'un dispositif ECO, reliez les bornes ECO du robinet à l'aide du cavalier fourni.

BRANCHEMENT DU THERMOCOUPLE (MODÈLES 24 V C.A. ET 120 V C.A.)

Le branchement du thermocouple doit être propre pour assurer un bon contact électrique.

Insérez l'écrou du thermocouple dans le bloc d'alimentation en le serrant le plus possible à la main. Utilisez ensuite une petite clé pour serrer l'écrou de $\frac{1}{4}$ à $\frac{1}{2}$ tour de plus. Ne serrez pas excessivement.

BRANCHEMENT DU GÉNÉRATEUR DE PILOTE (POUR LES MODÈLES 750 mV C.A.)

Assurez-vous que le générateur de pilote est entièrement engagé dans le brûleur du pilote.

Assurez-vous que les deux bornes du générateur de pilote sont serrées solidement sous les vis appropriées du robinet.

Branchez le fil du bloc d'alimentation sur la limite supérieure, puis la limite inférieure sur la borne TH-PG.

RÉGLAGE

RÉGLAGE DE LA PRESSION DE GAZ DU PILOTE

Lorsque la flamme pilote est faible et qu'elle n'engouffre pas le bulbe du capteur de flamme au mercure, le système ne met pas la soupape principale sous tension. Lorsque la pression de gaz du pilote est trop élevée, du gaz s'éclabousse au-delà de l'électrode d'allumage, ce qui peut empêcher l'allumage. Une pression de gaz trop élevée sur le pilote peut faire soulever la flamme hors du brûleur et indiquer au capteur de flamme que la chaleur est « basse ».

Pour ajuster la pression de gaz du pilote, enlevez la vis du couvercle (voir la fig. 8). **Pour RÉDUIRE la pression du pilote**, tournez la vis d'ajustement du pilote (sous la vis du couvercle) dans le sens des aiguilles d'une montre. **Pour AUGMENTER la pression du pilote**, tournez la vis d'ajustement dans le sens contraire aux aiguilles d'une montre. Remplacez et serrez la vis du couvercle.

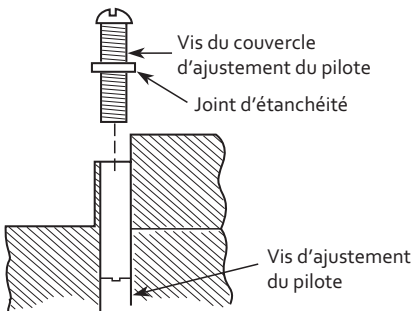


Figure 8. Ajustement du gaz du pilote

AJUSTEMENT DU RÉGULATEUR DE PRESSION

Le régulateur de pression a été ajusté en usine (voir l'étiquette du robinet pour le réglage spécifique). Bien que des réglages supplémentaires ne soient habituellement pas requis, vous pouvez ajuster le régulateur. Ne forcez pas la vis de réglage au-delà de tout ajustement facile.

1. Activez le robinet pour allumer le brûleur principal.
2. Enlevez la vis de réglage du couvercle (voir fig. 9).
3. **Pour RÉDUIRE la pression de sortie**, tournez la vis de réglage (sous la vis du couvercle) dans le sens contraire aux aiguilles d'une montre. **Pour AUGMENTER la pression de sortie**, tournez la vis de réglage dans le sens des aiguilles d'une montre.
4. Remplacez la vis du couvercle. Activez le robinet deux ou trois fois pour vérifier le réglage du régulateur.

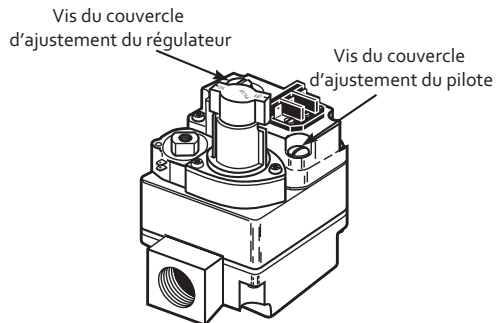


Figure 9. Ajustement du régulateur de pression

INSTRUCTIONS D'ALLUMAGE

POUR VOTRE SÉCURITÉ, LIRE AVANT L'UTILISATION

A AVERTISSEMENT



Si vous ne respectiez pas ces instructions à la lettre, un incendie ou une explosion pourrait survenir et causer des dommages matériels, des blessures ou des pertes de vie.

- A. Cet appareil est pourvu d'un pilote devant être allumé à la main. Pour allumer le pilote, suivez les instructions à la lettre.
- B. **AVANT L'UTILISATION**, sentez le pourtour de l'appareil pour détecter toute odeur de gaz. Assurez-vous de vérifier près du plancher parce que certains gaz sont plus lourds que l'air et ils se déposent sur le plancher.

POUR VOTRE SÉCURITÉ « QUE FAIRE SI VOUS DÉTECTEZ UNE ODEUR DE GAZ »

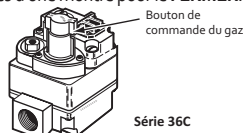
- Ne tentez pas d'allumer quelque appareil que ce soit.
- Ne touchez à aucun commutateur électrique; n'utilisez aucun téléphone dans l'édifice.
- Appelez immédiatement votre fournisseur de gaz en utilisant le téléphone d'un voisin. Suivez les

instructions du fournisseur de gaz.

- Si vous ne pouvez pas joindre le fournisseur de gaz, contactez les pompiers.
- C. Utilisez seulement votre main pour enfoncer ou tourner le bouton de commande du gaz. **N'utilisez jamais d'outils.** Si le bouton ne s'enfonce pas ou ne tourne pas sous la force de votre main, ne tentez pas de le réparer; appelez un technicien qualifié. La force excessive et les tentatives de réparation peuvent causer un incendie ou une explosion.
- D. N'utilisez pas cet appareil s'il a été en contact avec de l'eau de quelque façon que ce soit. Appelez immédiatement un technicien qualifié pour qu'il inspecte l'appareil et remplace toute partie du système de commande et tout contrôle de gaz qui est entré en contact avec de l'eau.

INSTRUCTIONS D'ALLUMAGE

1. **ARRÊTEZ!** Lisez l'information de sécurité qui figure ci-dessus.
2. Réglez le thermostat sur le réglage le plus bas.
3. Coupez toute alimentation électrique à l'appareil.
4. Enfoncez légèrement le bouton de commande du gaz et tournez-le dans le sens des aiguilles d'une montre pour le **FERMER** (voir fig. 10). Si le bouton est en position **MARCHE**, tournez-le dans le sens des aiguilles d'une montre jusqu'à la position **PILOTE**, puis enfoncez-le légèrement et tournez-le dans le sens contraire aux aiguilles d'une montre pour le **FERMER**.



REMARQUE : Le bouton ne peut pas être tourné de la position **PILOTE** à **ARRÊT** à moins qu'il ne soit légèrement enfoncé. N'utilisez pas d'outil ni de force excessive.

5. Attendez quinze (15) minutes pour laisser évacuer le gaz. Si vous sentez alors une odeur de gaz, **ARRÊTEZ!** Suivez l'étape B de l'information de sécurité ci-dessus. Si vous ne sentez aucune odeur de gaz, passez à l'étape suivante.
6. Enlevez le(s) panneau(x) d'accès au pilote sous l'unité de commande du gaz.

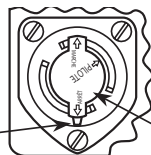
7. Trouvez le pilote – suivez les petits tuyaux de gaz métalliques de la commande de gaz.



8. Tournez le bouton du robinet de gaz dans le sens contraire aux aiguilles d'une montre jusqu'à la position **PILOTE**.
9. Enfoncez le bouton de commande à fond et tenez-le. Allumez immédiatement le pilote avec une allumette. Continuez à tenir le bouton de commande enfoncé pendant environ une (1) minute après l'allumage du pilote. Relâchez le bouton; il devrait se soulever de lui-même. Le pilote devrait rester allumer. S'il s'éteint, répétez les étapes 4, 5, 8 et 9.
- Si le bouton ne se soulève pas lorsque vous le relâchez, tournez-le dans le sens des aiguilles d'une montre jusqu'à l'**ARRÊT**, cessez de l'utiliser et appelez immédiatement un technicien ou le fournisseur de gaz.
- Si le pilote ne reste pas allumé après plusieurs tentatives, tournez le bouton de commande du gaz vers la position **ARRÊT** et appelez un technicien ou le fournisseur de gaz.
10. Remplacez le(s) panneau(x) d'accès au pilote.
11. Tournez le bouton de commande du gaz dans le sens contraire aux aiguilles d'une montre jusqu'à la position **MARCHE**.
12. Allumez toute alimentation électrique à l'appareil.
13. Réglez le thermostat sur la position désirée.

COUPEZ L'ALIMENTATION DE GAZ DE L'APPAREIL

1. Réglez le thermostat sur le réglage le plus bas.
2. Coupez toute alimentation électrique de l'appareil si un entretien doit être effectué.
3. Tournez le bouton de commande de gaz dans le sens des aiguilles d'une montre jusqu'à la position **PILOTE**.
4. Enfoncez légèrement le bouton de commande du gaz et tournez-le dans le sens des aiguilles d'une montre jusqu'à la position **ARRÊT**. **N'utilisez pas d'outils ni de force excessive.**



Indicateur

Bouton de gaz

Figure 10. Bouton de gaz

REMARQUES

White-Rodgers est une entreprise
d'Emerson Electric Co.

Le logo d'Emerson est une marque
de commerce et une marque de
service d'Emerson Electric Co.

White-Rodgers

www.white-rodgers.com
www.emersonclimate.com



36C03, 36C03A, 36C03U Y 36C10

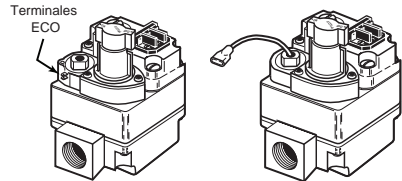
White-Rodgers Válvula de gas de combinación con piloto estacionario/continuo

INSTRUCCIONES DE INSTALACIÓN

NO LEER Y SEGUIR CON CUIDADO TODAS LAS INSTRUCCIONES ANTES DE INSTALAR O UTILIZAR ESTE CONTROL PODRÍA CAUSAR DAÑOS CORPORALES Y/O PÉRDIDA MATERIAL.

DESCRIPCIÓN

Las válvulas Serie 36C03 y 36C10 están diseñadas para cumplir con los requisitos de uso en los sistemas de piloto estacionario continuo. Los modelos de combinación 36C03 incluyen un regulador de presión, un piloto automático de corte al 100% y un operador principal. Los modelos 36C10 no tienen un regulador de presión.



36C inst.	Voltaje	Nº de etapas	Características de apertura	Piloto estacionario	Piloto intermitente Piloto comprobado	HSI	DSI
36C03/36C10	24V	1	Rápido	Sí	No	No	No
36C03U	750mV	1	Rápido	Sí	No	No	No
36C03A	120V	1	Rápido	Sí	No	No	No

ESPECIFICACIONES

TAMAÑOS/CAPACIDADES DE LAS TUBERÍAS

Tamaño de la tubería (pulgadas)	Capacidad (BTU/hora) a 1 pulg. W. C. de caída de presión a través de la válvula		Rango de regulación, excluyendo el modelo 36C10 no regulado	
	Gas natural (1000 BTU/pie cúbico, Grav. Esp. 64)	Gas LP (2500 BTU/pie cúbico, Grav. Esp. 1,53)	Gas nat. std. AGA con 0,64 de Grav. Esp. (1000 BTU/pie cúbico)	Gas LP con 1,53 de Grav. Esp. (2500 BTU/pie cúbico)
1/2 x 3/8 pulg.	100,000	162,000	15,000 - 100,000	15,000 - 162,000
1/2 x 1/2 pulg.	230,000	372,600	30,000 - 290,000	30,000 - 469,000
1/2 x 3/4 pulg.	230,000	372,600	30,000 - 290,000	30,000 - 469,000
3/4 x 3/4 pulg.	280,000	453,600	50,000 - 400,000	50,000 - 648,000

RANGO DE AJUSTE DEL REGULADOR DE PRESIÓN, EXCLUYENDO LA 36C10 SIN REGULADOR

Tipo de gas	Una sola etapa
Gas natural	2.5–5.0
GAS LP	7.5–12.0

Salida de gas del piloto:

Se encuentra en el extremo de salida de la válvula

Tipo de gas: Adecuado para todos los gases de calefacción doméstica

Temperatura ambiente: -40 ° a 175 °F

Presión nominal: 14 pulg. W.C. (1/2 PSI) máx.

Voltaje/Corriente: 36C03U – 750 mV
36C03/36C10 – 24 V/0,23 A
36C03A – 120 V/0,035 A

Piezas y accesorios:

Kits de conversión

- F92-0659 Gas natural a LP (7,5 pulg. a 12,0 pulg. W.C.)
- F92-0737 Gas natural a LP (no regulada)
- F69-0727 Acoplamiento de compresión de latón de ¼ pulg. para conectar la línea del piloto

Termopar (tipos de 24 V y 120 V):

Use el tipo W-R H06

Generador de piloto (tipos de 0,750 voltios):

Use el tipo W-R G01A-32

CONTENIDO

Contenido en inglés	1
Contenido en francés	9
Descripción	17
Especificaciones	17
Precauciones	18
Instalación	19
Conexiones del sistema	
Ajuste	21
Ajuste del regulador de presión	
Instrucciones para encender.....	22

ESPECIFICACIONES

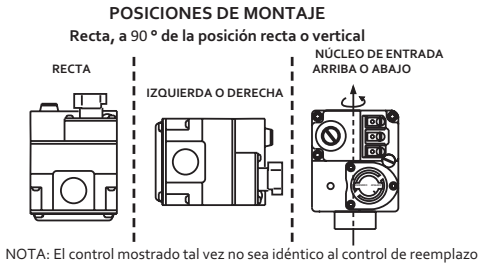


Figura 1. Posiciones de montaje de la válvula de gas

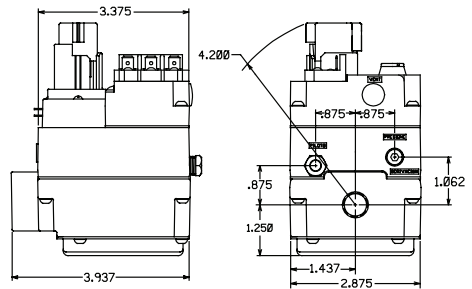


Figura 2. Dimensiones de la válvula

PRECAUCIONES

NO COMIENCE LA INSTALACIÓN HASTA QUE LEA LAS SIGUIENTES PRECAUCIONES.



ADVERTENCIA



Si no sigue estas instrucciones exactamente, se podría producir un incendio o explosión, causando pérdida material, daños corporales o pérdida de vidas.

1. No apagar la electricidad o el suministro de gas principal al sistema de calefacción podría causar daños corporales y/o pérdida material por choque, asfixia por gas, incendio y/o explosión.
2. No se debe utilizar este control en circuitos que excedan el voltaje especificado. Los voltajes más altos dañarán el control y pueden causar riegos de choque o incendio.
3. **NO UTILICE NUNCA UNA LLAMA NI NINGÚN TIPO DE CHISPA PARA DETECTAR PÉRDIDAS DE GAS YA QUE PODRÍA CAUSAR UN INCENDIO Y/O UNA EXPLOSIÓN.**
4. **NO UTILICE UN CABLE DE PUENTE** en los sistemas con piloto, tales como los sistemas con piloto estacionario, piloto comprobado, o encendido de chispa a piloto, ya que podría producirse un incendio y/o una explosión.
5. No utilice un juego de control para gas natural con gas de petróleo licuado, ni un juego para gas de petróleo licuado con gas natural. Se podrían producir daños corporales y/o pérdida material, asfixia por gas, incendio, y/o explosión.
6. No use una válvula de gas que parezca estar dañada. Una válvula dañada puede causar daños corporales y/o pérdida material debido a choque, asfixia por gas, incendio y/o explosión. Comuníquese con su proveedor para cambiar cualquier válvula que parezca estar dañada.
7. No use una válvula de gas que haya estado en contacto directo con el agua. El agua que entra en válvula de gas puede producir daños internos no visibles en la válvula de gas. Se podrían producir daños corporales y/o pérdida material, asfixia por gas, incendio, y/o explosión.



ADVERTENCIA

Instale correctamente las tuberías de gas al control.

- No quite las tapas protectoras de la entrada o la salida hasta que esté listo para conectar el tubo de abastecimiento a la válvula de gas.
- Utilice un tubo de abastecimiento nuevo, debidamente roscado, fresado, sin rebabas y limpio.
- Utilice una llave solo en las partes planas de la válvula en la saliente de entrada, al ajustar el tubo de abastecimiento. No la use en la abrazadera, el solenoide ni cualquier otra parte del control.
- No ajuste excesivamente la tubería al control (50 pies/lbs. máx.)
- Instale siempre el filtro de sedimentos en la tubería de abastecimiento de gas para evitar la contaminación de la válvula de gas.

Si no se instala correctamente puede producirse una pérdida de gas que cause lesiones como consecuencia de incendio o explosión.



PRECAUCIÓN

1. No provoque cortocircuito en las terminales de la válvula de gas ni del control principal para probarlos. Los cortocircuitos o las conexiones incorrectas pueden causar daños en el equipo, pérdida material, y/o daños corporales.
2. Este control no está diseñado para usar en lugares en los que pueda entrar en contacto directo con el agua. Se debe proporcionar la protección adecuada que proteja al control de la exposición al agua (goteo, rocío, lluvia, etc.).
3. Limpie la tubería de gas de contaminantes, líquido de corte u otras sustancias químicas que podrían reaccionar en forma nociva con los componentes de la válvula de gas antes de instalarla.

CONEXIONES DE LAS TUBERÍAS PRINCIPALES

NOTA

Todas las tuberías deben cumplir con las normas y decretos locales, y/o las normas nacionales relativas al gas combustible.

1. Apague la alimentación eléctrica al sistema en la caja de fusibles o el disyuntor. También se debe cerrar el suministro de gas principal.
2. Si cambia una válvula existente, desconecte toda la instalación sanitaria y conexiones eléctricas del control viejo.
3. El control se puede instalar en cualquier orientación, **excepto boca abajo** (vea la figura 1). La flecha en la válvula indica la dirección del flujo de gas a través del control.
4. Se debe usar tuberías nuevas debidamente biseladas, fresadas y sin rebabas y astillas. Si utiliza tubería viejas, asegúrese de que estén limpias y sin óxido, incrustaciones, rebabas, astillas y sellador para tuberías.

5. Aplique sellador para tuberías (lubricante de tubería) o cinta de teflón que **esté aprobada para todos los tipos de gases, solamente a las roscas macho de las uniones de las tuberías. NO aplique ningún material ni cinta de teflón a las dos primeras roscas** (vea en la fig. 3 las conexiones de tubería típicas).
6. Si usa un tornillo de banco o una llave de tercas para sostener la válvula mientras instala la tubería, no apriete en exceso, pues podría dañar la válvula.
7. Si requiere espacio adicional para la perilla de la llave de gas cuando instala la válvula nueva en un sistema existente, gire la perilla a la posición entre ON y OFF (encendido y apagado). Presione la perilla mientras gira la válvula. La perilla solamente se presionará al estar en esta posición.
8. Vea **CONEXIONES DEL SISTEMA** para hacer las conexiones eléctricas. Después de finalizar todas las conexiones de gas y eléctricas, encienda el gas y verifique que no haya pérdidas de gas con una solución de detección de pérdidas o espuma de jabón. La formación de burbujas indica una pérdida. **CIERRE EL GAS Y REPARE TODAS LAS PÉRDIDAS INMEDIATAMENTE.**

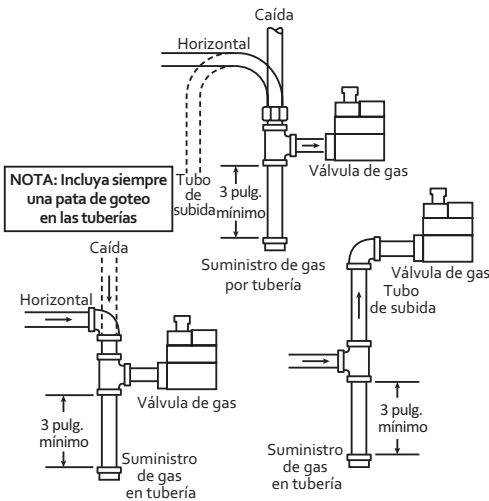


Figura 3. Tubería de válvula de gas típica

CONEXIÓN PARA GAS CON PILOTO

Instale el conector en la salida de gas con piloto (vea la fig. 4), girándolo hasta que quede bien ajustado a mano. Introduzca un tubo limpio sin rebaba hasta el final del conector. Mientras sostiene el tubo con firmeza, ajuste lentamente el conector hasta que sienta que cede ligeramente. Ajuste el conector girándolo una vuelta y media más. Consulte en la página 5 la información sobre el ajuste de gas con piloto.

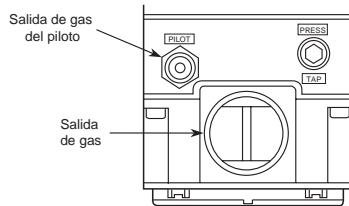


Figura 4. Parte lateral de la válvula de gas

⚠ PRECAUCIÓN

Para prevenir descargas eléctricas y/o daños al equipo, desconecte la electricidad al sistema en el fusible principal o en la caja de disyuntores hasta que la instalación esté completa.

CONEXIONES DEL SISTEMA

NOTA

Todas las conexiones se deben instalar de conformidad con las normas y decretos relativos a la electricidad locales y nacionales.

Compruebe siempre que el suministro de alimentación eléctrica utilizado concuerde con el voltaje y la frecuencia que se indican en el control de gas.

El diagrama de cableado típico muestra solamente la identificación de terminales y la conexión del cableado. Siempre consulte las instrucciones de cableado que proporcione el fabricante del equipo para realizar la conexión del sistema.

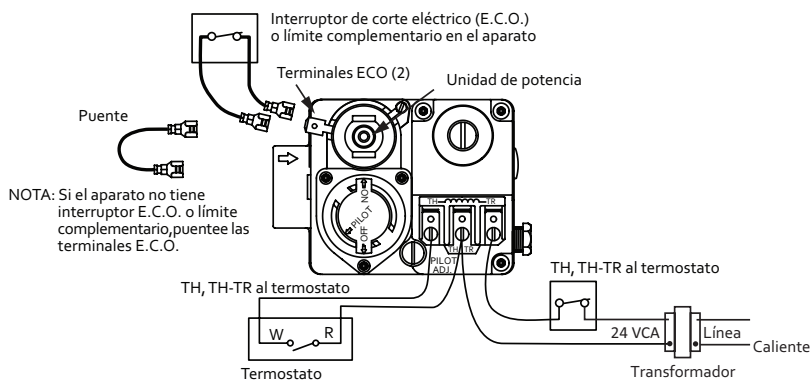


Figura 5. Cableado para el 36C03(24 VCA)

Para aparatos con un dispositivo de corte eléctrico (E.C.O.) o un interruptor de límite alto complementario, conecte el cable negro de la unidad de potencia a un lado del interruptor. Fije el otro lado del interruptor a TH-PG.

Para aparatos sin un dispositivo de corte eléctrico (E.C.O.) o un interruptor de límite alto complementario, conecte el cable negro de la unidad de potencia a TH-PG.

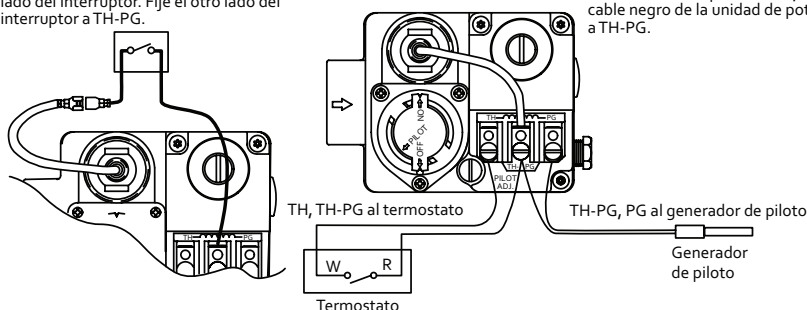


Figura 6. Cableado para el 36C03U (generador de piloto de 750 milivoltios)

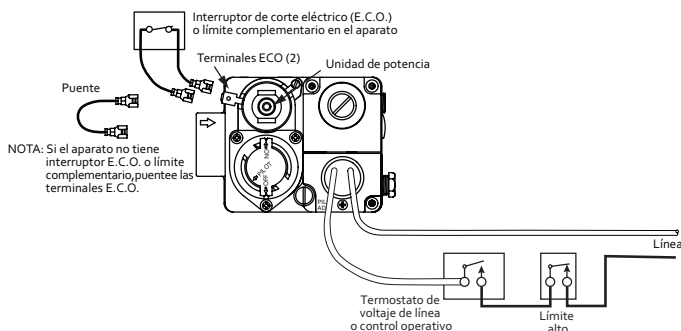


Figura 7. Cableado para el 36C03A (120 voltios)

CONEXIÓN PARA CORTE DE ENERGÍA (E.C.O.)

Una válvula de cinco funciones usa las dos terminales E.C.O. que están conectadas al ensamble magnético donde el termopar se conecta al interruptor de línea de válvula 36C.

Conecte los cables de las terminales E.C.O. al dispositivo E.C.O. en la caldera. Pruebe la continuidad del dispositivo E.C.O. Si no hay continuidad, la unidad de potencia no se mantendrá. Vea la figura 5.

Si la caldera no tiene un dispositivo E.C.O., puentee las terminales E.C.O. en la válvula con el cable para puentear suministrado.

CONEXIÓN DEL TERMOPAR (MODELOS DE 24 VCA Y 120 VCA)

La conexión del termopar debe estar limpia para garantizar un buen contacto eléctrico.

Coloque la tuerca del termopar en la unidad de potencia apretando con la mano todo lo que sea posible. Luego use una llave pequeña para fijar la tuerca con 1/4 a 1/2 vuelta adicional. No apriete en exceso.

CONEXIÓN DEL GENERADOR DE PILOTO (PARA MODELOS DE 0,750 VCA)

Asegúrese de que el generador de piloto esté totalmente acoplado en el quemador de piloto.

Asegúrese de que las dos terminales del generador de piloto estén firmemente apretadas por debajo de los tornillos adecuados en la válvula.

Conecte el cable de la unidad de potencia al límite alto y el límite bajo a la terminal TH-PG.

AJUSTE

AJUSTE DE LA LLAMA DEL PILOTO DE GAS

Si la llama del piloto está baja y no encierra completamente el sensor de llama, el sistema no dará energía a la válvula principal. Si la presión del gas del piloto es demasiado alta, el gas pasará más allá del electrodo de encendido y es posible que no lo encienda. Si la presión del gas del piloto es alta, también puede hacer que la llama levante el quemador y que el sensor de la llama detecte calor "bajo".

Para ajustar la presión del gas del piloto, retire el tornillo de la cubierta (vea la figura 8).

Para REDUCIR la presión del piloto, gire el tornillo de ajuste del piloto (debajo del tornillo de la cubierta) hacia la derecha. **Para AUMENTAR la presión del piloto**, gire el tornillo de ajuste del piloto hacia la izquierda. Vuelva a colocar el tornillo de ajuste de la cubierta y ajústelo.

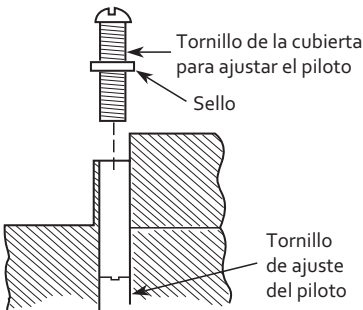


Figura 8. Ajuste de gas del piloto

AJUSTE DEL REGULADOR DE PRESIÓN

El regulador de presión ha sido ajustado en la fábrica (vea el ajuste específico en la etiqueta de control). Aunque normalmente no serán necesarios ajustes adicionales, puede ajustar el regulador. No fuerce el tornillo de ajuste más allá de los límites en que se puede ajustar fácilmente.

1. Energice la válvula para encender el quemador principal.
2. Retire el tornillo de cubierta "Reg. Adj." (vea la figura 9).
3. **Para REDUCIR la presión de salida**, gire el tornillo de ajuste (por debajo del tornillo de la cubierta) hacia la izquierda. **Para AUMENTAR la presión de salida**, gire el tornillo de ajuste hacia la derecha.
4. Reemplace el tornillo de la cubierta. Cicle la válvula dos o tres veces para verificar el ajuste del regulador.

Tornillo de la cubierta de ajuste del regulador

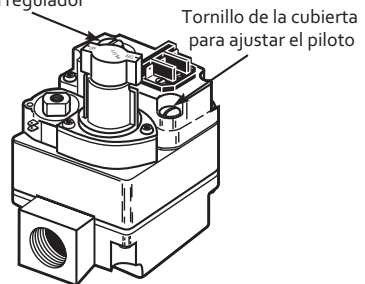


Figura 9. Ajuste del regulador de presión

INSTRUCCIONES PARA ENCENDER

POR SU SEGURIDAD, LEA ANTES DE FUNCIONAR

⚠ ADVERTENCIA

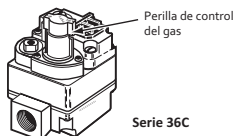


Si no sigue estas instrucciones exactamente, se podría producir un incendio o explosión, causando pérdida material, daños corporales o pérdida de vidas.

- Este aparato tiene un piloto que debe encenderse a mano. Al encender el piloto, siga estas instrucciones al pie de la letra.
- ANTES DE UTILIZAR** huela alrededor del aparato para detectar si hay olor a gas. Asegúrese de oler cerca del suelo, ya que algunos gases son más pesados que el aire y se depositan sobre el suelo.
PARA SU SEGURIDAD
"¿QUÉ HACER SI SIENTE OLOR A GAS?"
 - No intente encender ningún aparato.
 - No toque ningún interruptor eléctrico; no utilice ningún teléfono de su edificio.
 - Llame de inmediato a su proveedor de gas desde el teléfono de un vecino. Siga las instrucciones del proveedor de gas.
- No puede encontrar a su proveedor de gas, llame a los bomberos.
- Utilice solamente la mano para mover el interruptor de control de gas. **No utilice herramientas en ningún caso.** Si el interruptor no se mueve a mano, no intente repararlo; llame a un técnico de servicio calificado. El uso de fuerza o cualquier intento de reparación puede causar un incendio o explosión.
- No utilice este aparato si alguna parte ha estado bajo el agua. Llame inmediatamente a un técnico de servicio calificado para que inspeccione el aparato y cambie las partes del sistema de control y cualquier control de gas que haya estado bajo el agua.

INSTRUCCIONES PARA ENCENDER

- ¡ALTO!** Lea la información de seguridad que se encuentra en la parte de arriba.
- Ajuste el termostato al valor más bajo.
- Apague toda la alimentación eléctrica al aparato.
- Presione ligeramente la perilla de control de gas y gire hacia a la derecha a la posición **OFF** (apagado).



NOTA: La perilla no puede girarse de **PILOT** a **OFF** a menos que se presione ligeramente. No use herramientas ni fuerza excesiva.

- Espere quince (15) minutos para eliminar el gas. Si huele gas, **¡DETÉNGASE!** Siga el punto "B" de la información de seguridad que se encuentra en la parte de arriba. Si no siente olor a gas, continúe al paso siguiente.
- Retire los paneles de acceso al piloto que se encuentran debajo de la unidad de control del gas.

- Encuentre el piloto: siga los tubos metálicos pequeños del control del gas.



- Gire la perilla de control del gas hacia la izquierda, hasta **PILOT**.
- Presione la perilla de control hasta el fondo y sosténgala. Encienda de inmediato el piloto con un fósforo. Siga manteniendo presionada la perilla aproximadamente un (1) minuto después de que encienda el piloto. Suelte la perilla y subirá a su lugar. El piloto debe quedar encendido. Si se apaga, repita los pasos 4, 5, 8 y 9.
- Si la perilla no sube cuando la suelte, gírela hacia la derecha hasta **OFF**, deténgase y llame de inmediato a su técnico de servicio o proveedor de gas.
- Si el piloto no queda encendido después de varios intentos, gire la perilla de control de gas a **OFF** y llame a su técnico de servicio o proveedor de gas.
- Vuelva a colocar los paneles de acceso del control.
- Gire la perilla de control de gas hacia la izquierda hasta **ON**.
- Encienda toda la alimentación eléctrica al aparato.
- Ajuste el termostato al valor deseado.

PARA CERRAR EL GAS QUE LLEGA AL Aparato

- Ajuste el termostato al valor más bajo.
- Apague toda la alimentación eléctrica al aparato si se debe realizar algún servicio de reparación.
- Gire la perilla de control de gas hacia la derecha hasta **PILOT**.
- Presione ligeramente la perilla de control de gas y gire hacia a la derecha hasta **OFF**. **No use herramientas ni fuerza excesiva.**

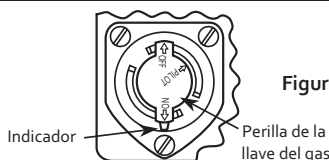


Figura 10. Perilla de la llave del gas

NOTAS

White-Rodgers es una negocio
de Emerson Electric Co.

El logotipo Emerson es una
marca comercial y una marca de
servicio de Emerson Electric Co.

White-Rodgers

www.white-rodgers.com
www.emersonclimate.com

