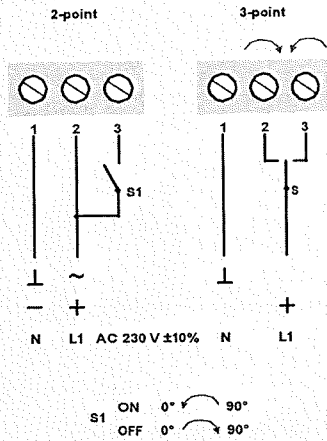


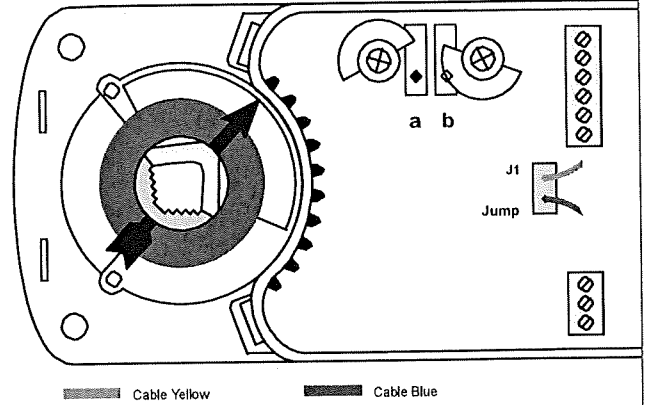
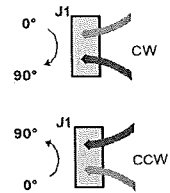
Wiring diagram



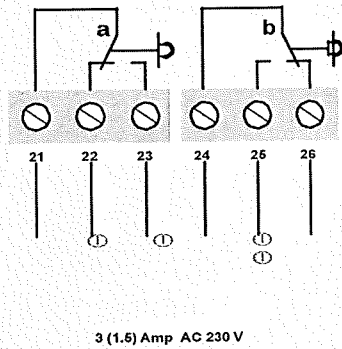
Changing direction of rotation NACA...(S)

The direction of rotation can be changed by reversing Jumper J1

Factory setting



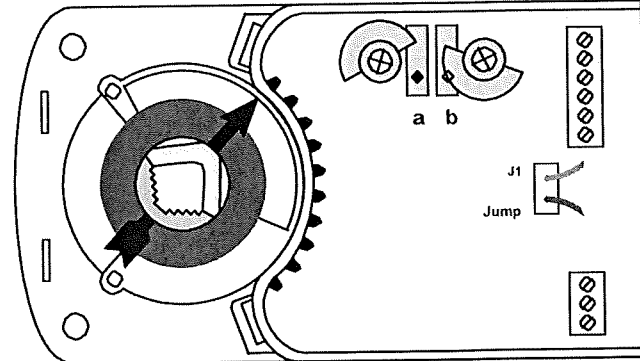
Auxiliary switches (S)



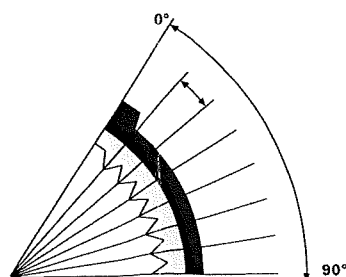
Auxiliary switch adjustment NACA...(S)

Factory setting
Switch a at 10°
Switch b at 80°

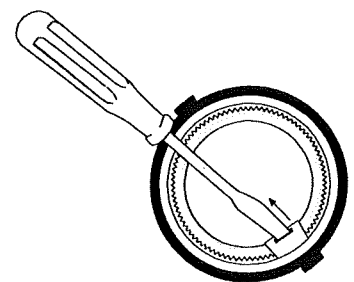
The switching position can be manually changed to any required position by turning the ratchet.



Angle-of-rotation limiting



Releasing the adapter

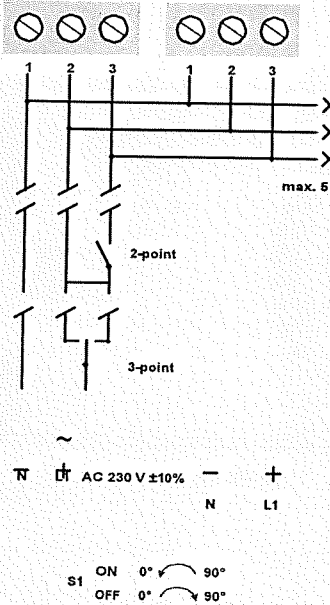


NENUTEC®

A NAME WITH QUALITY

Rotary Damper Actuator 2 Points and 3 Points Control

Parallel connection NACA... (S)



Parallel connection

Parallel connection 2 points and 3 points control can be applicable up to 5 actuators.

Important Remark

The NENUTEC NACA/NACM... (S) actuator series can be equipped with a variety of NENUTEC products, Characterized Ball Valves the NVCB... series, the NMBV... Butterfly Valves series and Globe Valves.

Consult NENUTEC representatives or factory for the specific requirements and material selection for your intended application.

Main Office:

NENUTEC®

NENUTEC ASIA PACIFIC PTE LTD
 7030 Ang Mo Kio Ave 5 #08-55
 Northstar@AMK
 Singapore 569 880
 Phone : +65 6570 3233
 Fax : +65 6570 6783
 Email : info@nenutec.com.sg
 Website : www.nenutec.com.sg

Headquarters:



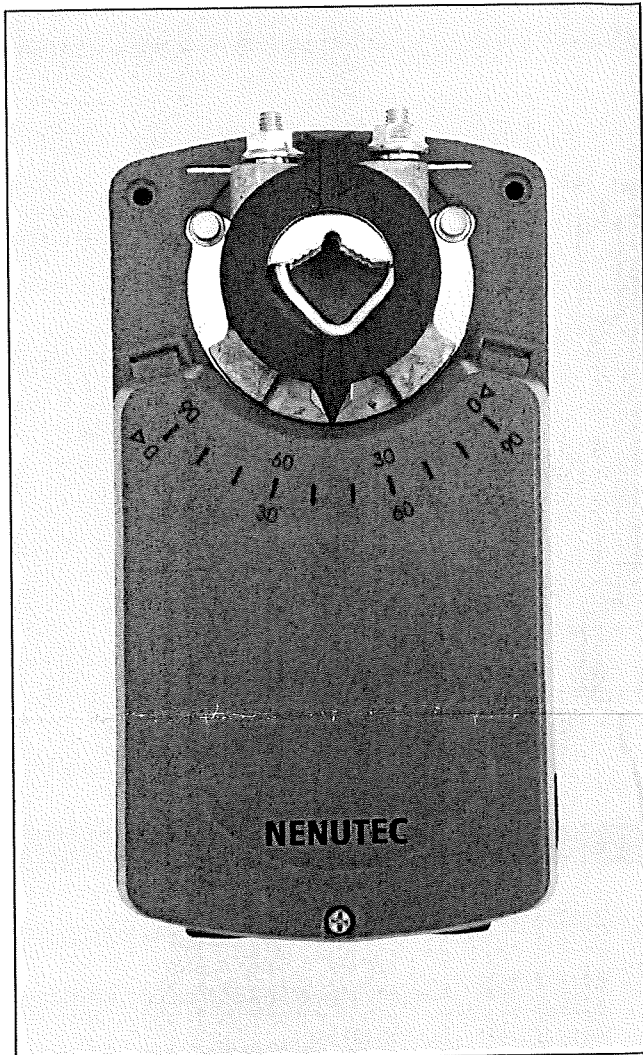
TELIMA AG

Schachenstrasse 80
 CH-8645 Jona / Switzerland
 Phone : +41 55 212 40 60
 Fax : +41 55 212 40 69
 Email : info@telima.ch
 Website : www.nenutec.com

NENUTEC®

A NAME WITH QUALITY

Rotary Damper Actuator 2 Points and 3 Points Control



• NENUTEC is proud to offer the 08, 16 and 24 Nm damper actuator of the NACA... 08/16/24 (S) Series designed specifically applications into the HVAC market.

• NENUTEC high quality damper actuators have been designed for use with air damper, butterfly valve, characterized ball valve and globe valve with the use of special adapter.

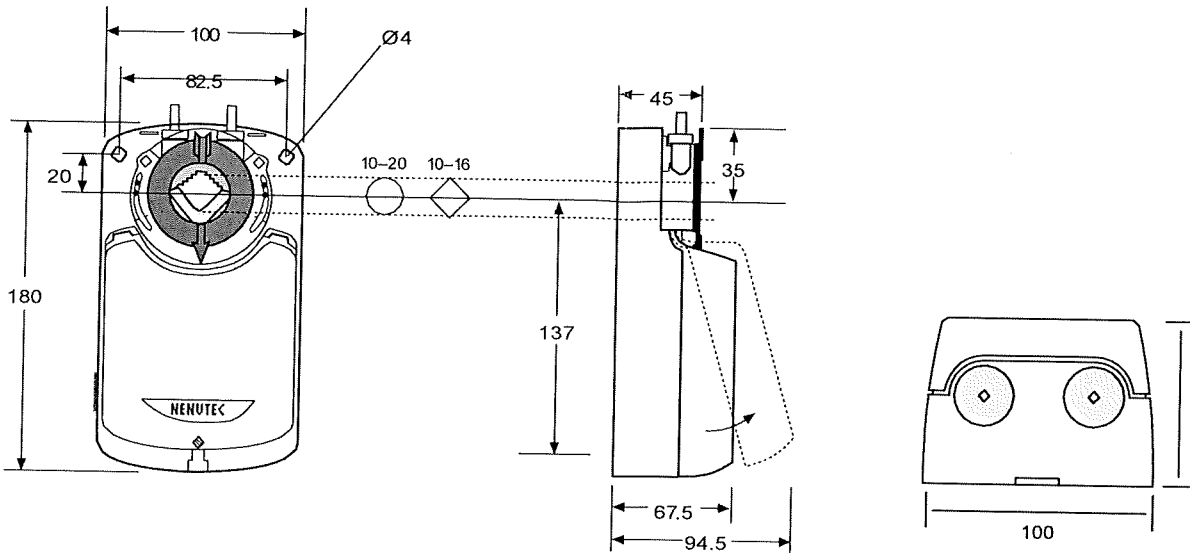
Product Features

- 2 points and 3 points control
- Universal Spindle Clamp for easy direct mounting
- Shaft dimension \varnothing 10...20 mm / 10...16 mm square
- Anti-rotation bracket provided for stability
- Manual over ride by push button when required
- Adjustable angle of rotation
- Selectable direction of rotation
- Parallel connection up to 5 actuators
- 2 adjustable SPDT auxiliary switches when requested
- Power saving at end stops
- Actuators available with 1 m cable on request
- Customised version available, on request

Model Selection Table

Torque	Running Time	Power Supply	Auxiliary Switches	Model/Type
8 Nm	55 sec	AC/DC 24 VAC/DC	No	NACA 1-08
			2 x SPDT	NACA 1-08S
		AC 230 V \pm 10%	No	NACA 2-08
			2 x SPDT	NACA 2-08S
16 Nm	100 sec	AC/DC 24 V	No	NACA 1-16
			2 x SPDT	NACA 1-16S
		AC 230 V \pm 10%	No	NACA 2-16
			2 x SPDT	NACA 2-16S
24 Nm	160 sec	AC/DC 24 V	No	NACA 1-24
			2 x SPDT	NACA 1-24S
		AC 230 V \pm 10%	No	NACA 2-24
			2 x SPDT	NACA 2-24S

Actuator Dimensions (mm)



Technical Specification

	NACA1...(S)	NACA2...(S)
Torque	8 Nm / 16 Nm / 24 Nm	8 Nm / 16 Nm / 24 Nm
Damper Size	1.5 m ² / 3.0 m ² / 4.5 m ²	1.5 m ² / 3.0 m ² / 4.5 m ²
Power Supply	AC/DC 24 V	AC 230 V ±10%
Frequency	50-60 Hz	50-60 Hz
Power Consumption		
– Operating	3.9 W	4.8 W
– At the end stops	0.4 W	1.2 W
For wire sizing	6.5 VA	6.5 VA
Auxiliary switch rating	3(1.5) A / AC 230 V	3(1.5) A / AC 230 V
Protection class	II	II
Control Signals	2 point and 3 point	2 point and 3 point
Angle of Rotation	90° (93° mechanical)	90° (93° mechanical)
Angle Limiting	5°...85° in 5° step	5°...85° in 5° step
Weight	1.3 Kg	1.3 Kg
Life Cycle	60,000 rotation	60,000 rotation
Sound Level	Below 45 dB	Below 45 dB
IP Protection	IP54	IP54
Ambient Temperature	-20°...+50°C / IEC 721-3-3	-20°...+50°C / IEC 721-3-3
Inventory Temperature	-30°...+60°C / IEC 721-3-2	-30°...+60°C / IEC 721-3-2
Ambient Humidity	5...95% rH non condensing	5...95% rH non condensing
Maintenance	maintenance free	maintenance free
Impact	Typ I / EN 60730-1	Typ I / EN 60730-1
Standardize	89/336/CE	89/336/CE