

# Installation guide Pressure switch Types RT 5, RT 110, RT 112, RT 116, RT 117, RT 121, RT 200

017R9315

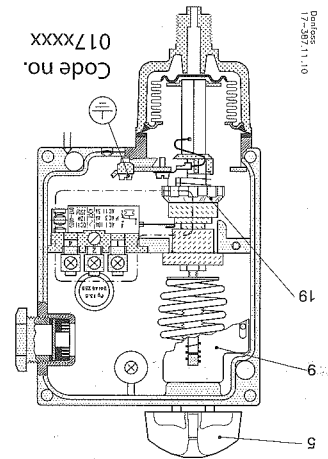
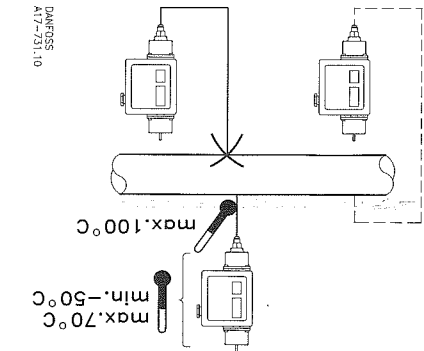
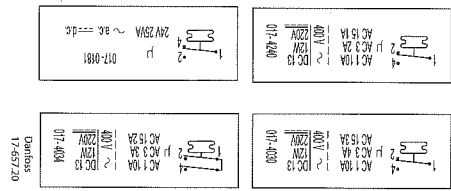
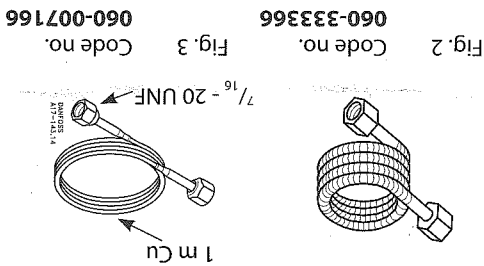


Fig. 5

	1	2	3	4	5	6	7	8	9	10
RT 5	1.2	1.8	2.0	2.4	2.8	3.2	3.6	4.0		
RT 5A									0.25	0.25
RT 110	0.08	0.11	0.14	0.17	0.20	0.23	0.25			
RT 112	0.07	0.085	0.10	0.115	0.13	0.145	0.16			
RT 116	0.8	0.8	0.8	0.7	0.9	1.1	1.3			
RT 121	0.09	0.15	0.2	0.25	0.3	0.35	0.4			
RT 200	0.26	0.4	0.6	0.8	1.0	1.2				
RT 117	1.0	1.3	1.5	2.0	2.5	3.5	4.0			

Min. 1  
Max. 10  
Danfoss 17-444/1.6



017R9315

## ENGLISH

**Data**  
It is desired to control the pressure in an oil-fired steam boiler by the use of an RT 116.

**Pressure switch, types RT 5, RT 110, RT112, RT 117, RT 121, RT 200, RT 116**  
 Max. test pressure  
 RT 110, 112, 121: 8 bar  
 RT 5, 116, 200: 25 bar  
 RT 117: 47 bar

**Fitting**  
 Damp out strong pressure pulsations. A damping coil, fig. 2 or fig. 3, will often be sufficient.  
 Insert a water-filled tube loop as a temperature lock (e.g. a 10 mm Cu tube) if at high plant temperatures there is a risk that the pressure connection of the control will become heated to more than 100 °C. Position the pressure control so that on water plant it cannot be exposed to frost. It can operate on an air cushion, for example.

**Setting**  
 The pressure controller is set by rotating the knob (5), at the same time reading the main scale (9). See fig. 1.  
 The differential is set by rotating the differential adjusting nut (19) to the value indicated by the use of the nomogram in fig. 5. The maximum operating pressure is

thus the sum of the setting pressure and the differential.

**Example**  
 It is desired to control the pressure in an oil-fired steam boiler by the use of an RT 116.

**Data**  
 Maximum pressure 9 bar.  
 Minimum pressure 8.2 bar.  
 Differential 9 - 8.2 = 0.8 bar.  
 Connect the oil burner to terminals 1-2 of the pressure switch.  
 2. Set the pressure switch for 8.2 bar by rotating the knob (5).  
 3. Set the differential adjusting nut (19) at the figure 6 which is found by reading the nomogram in fig. 5.

## DANSK

**Eksempel**  
 Trykket i en oliefyret dampkedel ønskes reguleret af en RT 116.  
 Max. tryk 9 bar.  
 Min. tryk 8,2 bar.  
 Differens 9 - 8,2 = 0,8 bar.  
 Tilslut oliebrænderen til pressostatens klemmer 1-2.  
 Indstill pressostaten på 8,2 bar med hånd-knappen (5).  
 Indstil differensrullen (19) på tallet 6 som fremkommer ved aflæsning af nomogrammet i figur 5.

**Indstilling**  
 Pressostaten indstilles efter den funktion - slutte eller bryde - som skal ske ved faldende tryk (områdeindstilling).  
 Selve indstillingen udføres med hånd-knappen (5) under samtidig aflæsning af hovedskalaen (9). Se figur 1.  
 Differensen indstilles med differensrullen (19) efter nomogrammet i figur 5. Højeste funktionstryk er således lig summen af indstillingstryk og differens.

**Montering**  
 Dæmp kraftige trykpulsationer. Ofte er dæmpesøjle fig. 2 eller fig. 3 tilstrækkelig. Indskyd en vandfyldt rørsøjle som